

CS 378 – Big Data Programming

Lecture 6

Summarization Patterns

Review

- Assignment 2 - WordStatistics
- We'll look at implementation details of:
 - Mapper
 - Combiner
 - Reducer
 - Supporting classes
- Other issues
 - Number precision – how can we control this on output?

File Formats

- In assignments 1 and 2, we have used
 - `TextInputFormat`
 - `TextOutputFormat`
- Key value pairs:
 - Input: `LongWritable/Text`
 - Output (Assign 1): `Text/LongWritable`
 - Output (Assign 2): `Text/WordStatisticsWritable`
- The input file is just lines of text
 - How does the `LongWritable` get generated?

File Formats

- Input formats provide an instance that extends Hadoop class **RecordReader**
- **RecordReader** methods
 - `initialize(InputSplit, TaskAttemptContext)`
 - `nextKeyValue()`
 - `getCurrentKey()`
 - `getCurrentValue()`
 - `getProgress()`
 - `close()`

File Formats

- What does **TextInputFormat** do?
 - Via its **RecordReader** implementer
- Identifies the next line of input
 - Text through the next newline
- Creates the **Text** object with this content
- Calculates the position of this line in the input split
- Creates the **LongWritable** with this number
- Reports progress via `getProgress()`

File Formats

- Key value pairs:
 - Output: **Text/WordStatisticsWritable**
- The output file is just lines of text
 - How does this text get generated?
- Similar to input formats, output is controlled by instances that extend **RecordWriter**
- **RecordWriter** methods
 - `write(key, value)`
 - `close()`

File Formats

- What does `TextOutputFormat` do?
 - Via its `RecordWriter` implementer
- Calls `toString()` on the key, writes this string
- Writes a tab character
- Calls `toString()` on the value, writes this string
- How do we control the format of our results for `WordStatistics`?

Summarization

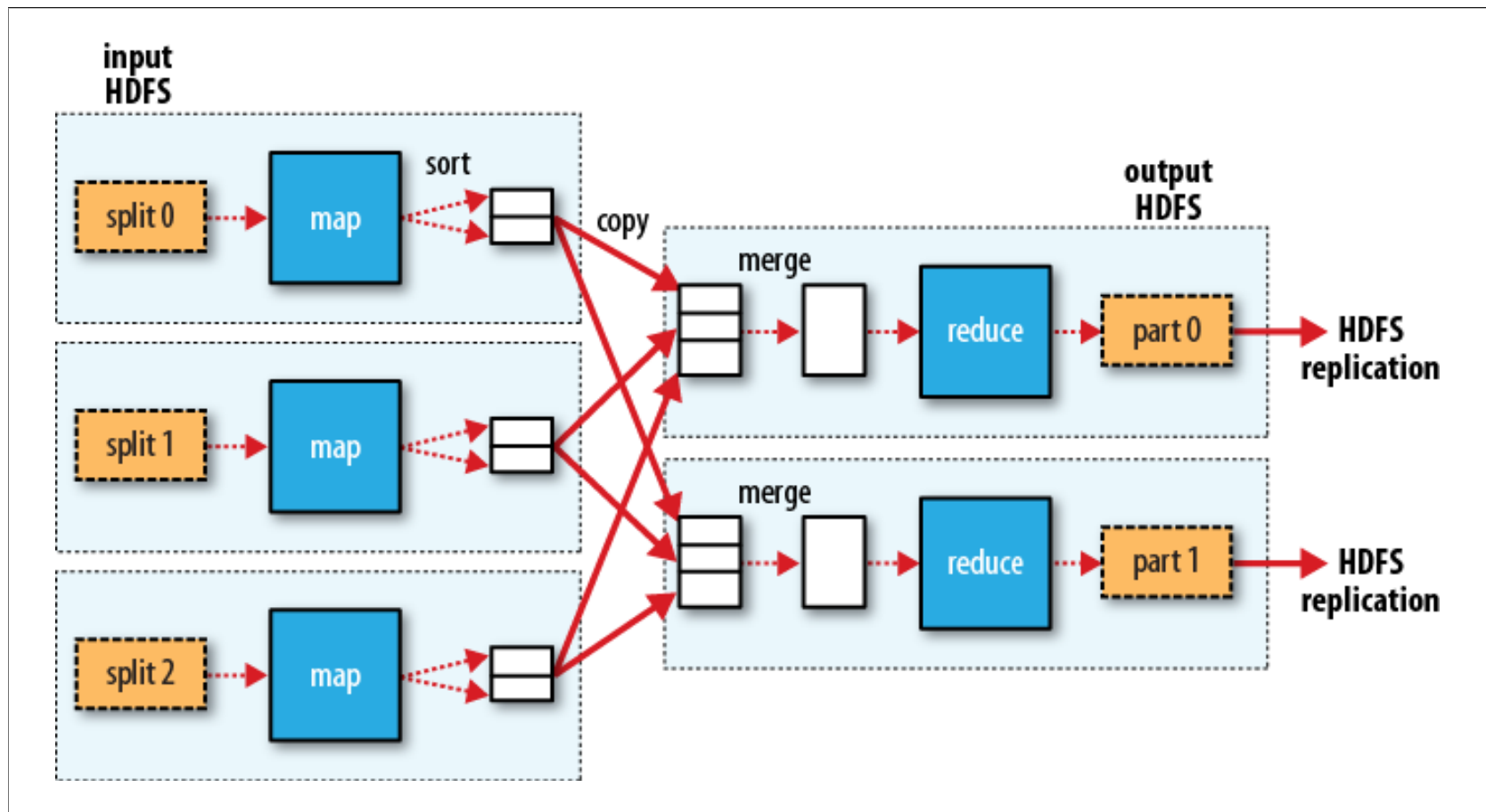
- Another summarization of interest
 - Inverted index
- Suppose we are interested in indexing document(s) by individual words in the document(s)
 - For a given word, which documents contain it
 - Indices are built for search engines to quickly identify which documents are relevant
 - Interesting for anyone investigating the document(s)

Inverted Index

- For an inverted index that represents which documents an individual word appears in:
- What is the final output?
 - Key: word
 - Value: list of documents the word appears in
- Given our data set of document(s)
 - What should the mapper do?
 - What should the reducer do?
 - Can we use a combiner?

MapReduce in Hadoop

Figure 2.4, Hadoop - The Definitive Guide



Inverted Index – Assignment 3

- Data set example
 - Emails
- Output
 - Key
 - Field type (To, From, Cc, Bcc)
 - Email address
 - Value
 - List of message IDs