

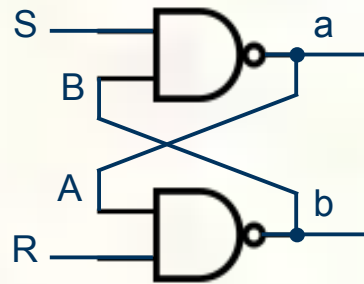


Storage Elements





R-S Latch

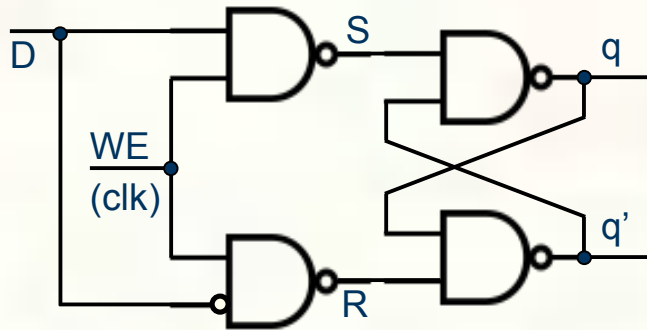


R	S	a	b
0	0	1	1
0	1	0	1
1	0	1	0
1	1	?	?

A	R	S	a	b	A	R	S	a	b
0	0	0	1	1	x	0	0	1	1
0	0	1	0	1	x	0	1	0	1
0	1	0	1	0	x	1	0	1	0
0	1	1	0	1	0	1	1	0	1
1	0	0	1	1	1	1	1	1	0
1	0	1	0	1					
1	1	0	1	0					
1	1	1	1	0					



D Latch



WE	q	D	q	q'
0	0	x	0	1
0	1	x	1	0
1	x	0	0	1
1	x	1	1	0



D Flip-flop

